

How Do You Have a Terrific Space Party?

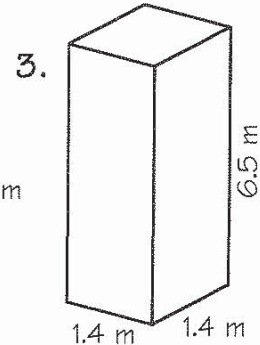
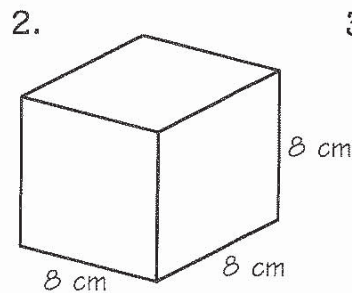
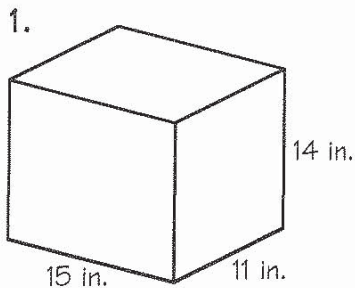


Cross out the letter next to each correct answer. When you finish, the answer to the title question will remain.



T	3290 in. ³
I	13,104 lb
S	\$1.75
J	2310 in. ³
E	\$94
J	3840 in. ³
D	12,958 g
N	623.8 cm ³
I	3.6 ft ³
A	13.28 m ³
T	512 cm ³
E	671.4 cm ³
L	12,208 lb
C	210 ft ³
A	\$125
P	13,525 g
A	12.74 m ³
S	192 ft ³

Find the volume of each prism.



Solve.

- The maximum size for luggage you carry onto an airplane is 24 in. by 16 in. by 10 in. What is the volume of a suitcase with these dimensions?
- An aquarium at Sea World is 10 ft long, 3 ft wide, and is filled with water to a depth of 7 ft. Water weighs 62.4 pounds per cubic foot.
 - What is the volume of the water in the tank?
 - What is the weight of the water in the tank?
- The gold at Fort Knox is stored in bars that measure 9.2 cm by 4.1 cm by 17.8 cm. Gold weighs 19.3 grams per cubic centimeter.
 - What is the volume of each bar? Round to the nearest 0.1 cm³.
 - What is the weight of each bar? Round to the nearest gram.
- A garden storage shed sells for \$336. The storage space inside the shed is 8 ft long, 4 ft wide, and 6 ft high.
 - What is the volume of the storage space?
 - What is the cost per cubic foot of the storage space?
- A safe for storing valuables sells for \$450. The space inside the safe is 1.5 ft long, 1.2 ft wide, and 2.0 ft high.
 - What is the inside volume of the safe?
 - What is the cost per cubic foot of the space inside the safe?



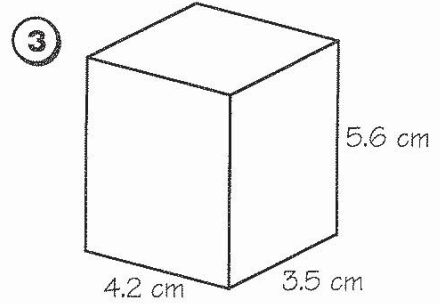
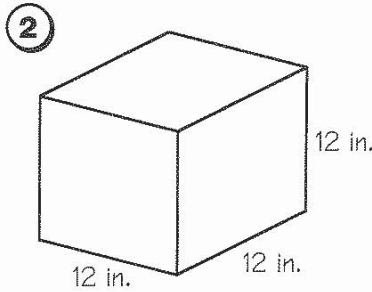
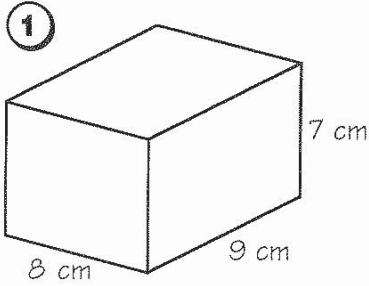
TEAM NAME: _____ TEAM MEMBER A: _____

What Happened When a Bunch of Numbers Got Lost in the Desert and Spent Years Wandering from Oasis to Oasis?



C Cross out the letters above each correct answer. Write the remaining letters in the spaces at the bottom of the page. **C**

A. Find the volume of each prism.



B. Solve.

④ The cargo space inside a truck trailer is 8 ft high, 7 ft wide, and 29 ft long. What is the volume of the trailer in cubic feet?

⑤ A block of ice is 18 in. long, 15 in. wide, and 12 in. high. Ice weighs 0.03 pound per cubic inch. How much does the block of ice weigh?

⑥ A refrigerator is 2.8 ft wide, 2.5 ft deep, and 5.5 ft high. The walls and other parts of the refrigerator take up 18 ft³. How many cubic feet are left for food?

⑦ A steel cube measures 5 cm on each edge. Steel weighs 7.8 grams per cubic centimeter. How much does the cube weigh?

⑧ Krunch Crackers used to come in a box 6 in. wide, 8 in. high, and 2 in. deep. The new box is 8 in. wide, 9 in. high, and 2.5 in. deep. How many more cubic inches will the new box hold than the old box?

⑨ If the average student could fit in a space 2 ft long, 1 ft wide, and 5 ft high, how many students could be stuffed into a classroom that is 32 feet long, 25 ft wide, and 9 ft high? (Assume all space is filled.)

BU 975 g	T 21.2 ft ³	O 97.2 lb	N 504 cm ³	HE 84.72 cm ³	RE 720	YB 860 g	IT 1624 ft ³
E 840	ND 84 in. ³	C 1704 ft ³	H 82.32 cm ³	A 89.4 lb	TE 1728 in. ³	FA 20.5 ft ³	ME 72 in. ³